

HEIM Unibal®

SPHERICAL BEARINGS

ROD ENDS

insert construction

SPECIFICATION

HOUSING CHROMIUM MOLYBDENUM STEEL (OR S97 FOR AIRCRAFT USE).

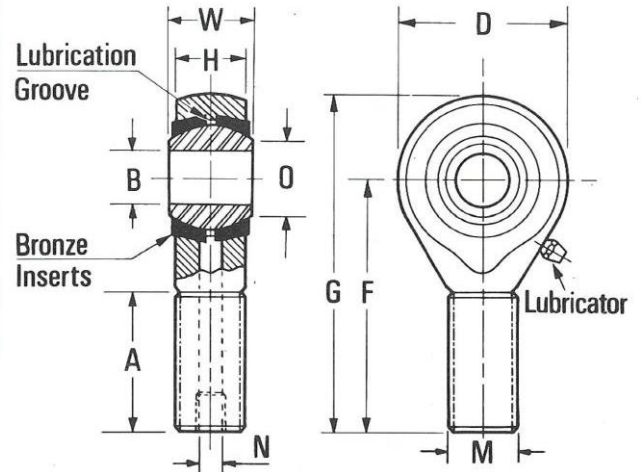
FINISH CADMIUM PLATED TO DTD 904C.

BALL ONE PER CENT CARBON CHROMIUM STEEL (EN31) HEAT TREATED TO 60/62 ROCKWELL 'C'.

FINISH CHROMIUM PLATED ON BEARING SURFACE.

INSERTS ALUMINIUM BRONZE.

ALL DIMENSIONS GIVEN IN INCHES.



RMX extra capacity series male thread

BEARING NUMBER	B	W	H	O	D	F	G	A	N	M	Ball Diameter	Maximum Static Load in Pounds Approx.		Weight in Pounds Approx.
	Bore	Ball Width	Housing Width	Ball Flat Diameter	Head Diameter	Length to Ball Centre	Overall Length	Thread Length	Drill Diameter	Medium Fit		Radial	Axial	
	$\begin{matrix} +.0000 \\ -.0005 \end{matrix}$	$\begin{matrix} +.000 \\ -.005 \end{matrix}$	$\begin{matrix} +.005 \\ -.005 \end{matrix}$		$\begin{matrix} +.010 \\ -.010 \end{matrix}$	$\begin{matrix} +.010 \\ -.010 \end{matrix}$	$\begin{matrix} +.010 \\ -.010 \end{matrix}$	$\begin{matrix} +.16'' \\ -.32'' \end{matrix}$						
RMX-4G RMXL-4G	.2500	.375	.281	.355	.750	1.562	1.937	1.000	.113	$\frac{5}{16}$ BSF	$\frac{3}{8}$	5,390	1,710	.046
RMX-5G RMXL-5G	.3125	.437	.344	.447	.875	1.875	2.312	1.250	.159	$\frac{3}{8}$ BSF	$\frac{5}{8}$	7,504	2,376	.070
RMX-6G RMXL-6G	.3750	.500	.406	.517	1.000	1.938	2.438	1.250	.159	$\frac{7}{16}$ BSF	$\frac{23}{32}$	9,589	2,946	.120
RMX-7G RMXL-7G	.4375	.562	.437	.586	1.125	2.125	2.688	1.375	.159	$\frac{1}{2}$ BSF	$\frac{13}{16}$	11,055	3,367	.155
RMX-8G RMXL-8G	.5000	.625	.500	.698	1.312	2.438	3.094	1.500	.213	$\frac{9}{16}$ BSF	$\frac{15}{16}$	13,586	4,074	.234
FORGINGS	$\begin{matrix} +.0000 \\ -.0005 \end{matrix}$	$\begin{matrix} +.000 \\ -.005 \end{matrix}$	$\begin{matrix} +.005 \\ -.005 \end{matrix}$		$\begin{matrix} +.030 \\ -.010 \end{matrix}$	$\begin{matrix} +.030 \\ -.010 \end{matrix}$	$\begin{matrix} +.030 \\ -.010 \end{matrix}$	$\begin{matrix} +.16'' \\ -.32'' \end{matrix}$						
RMFX-10G RMFXL-10G	.6250	.750	.562	.832	1.500	2.625	3.375	1.625		$\frac{3}{4}$ BSF	$1\frac{1}{8}$	17,315	5,146	.388
RMFX-12G RMFXL-12G	.7500	.875	.687	.978	1.750	2.875	3.750	1.750		$\frac{7}{8}$ BSF	$1\frac{5}{16}$	23,234	6,768	.612

"L in bearing number denotes left hand thread
 Suffix "G" in part number indicates unit equipped with lubricator
 Add "U" to the suffix for UNF thread